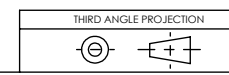
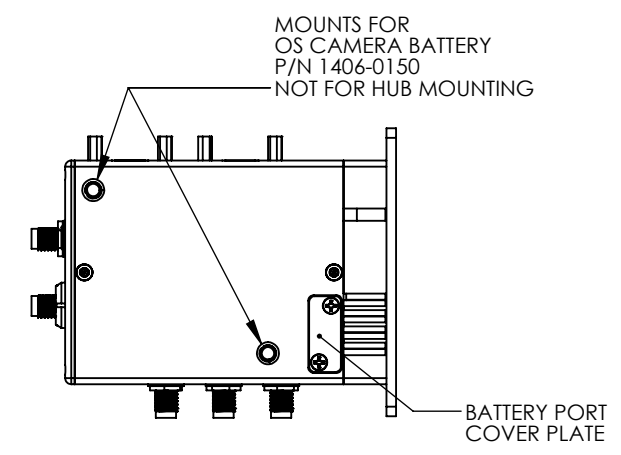
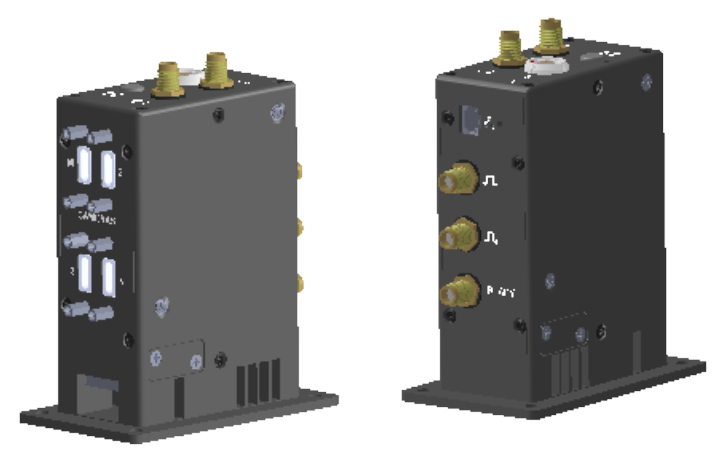
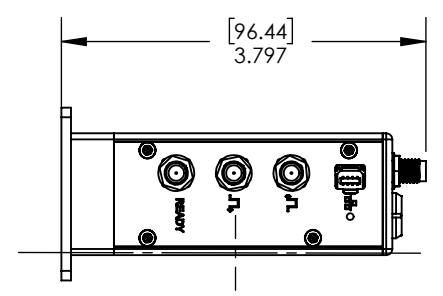
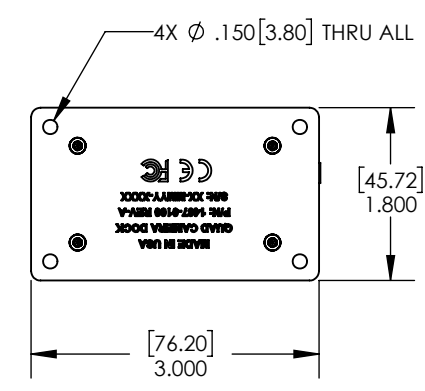
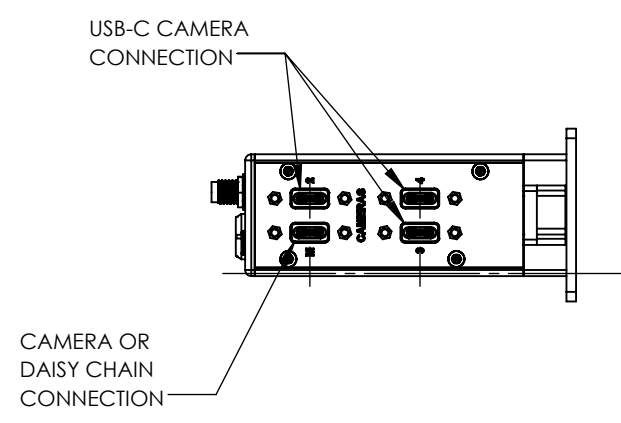
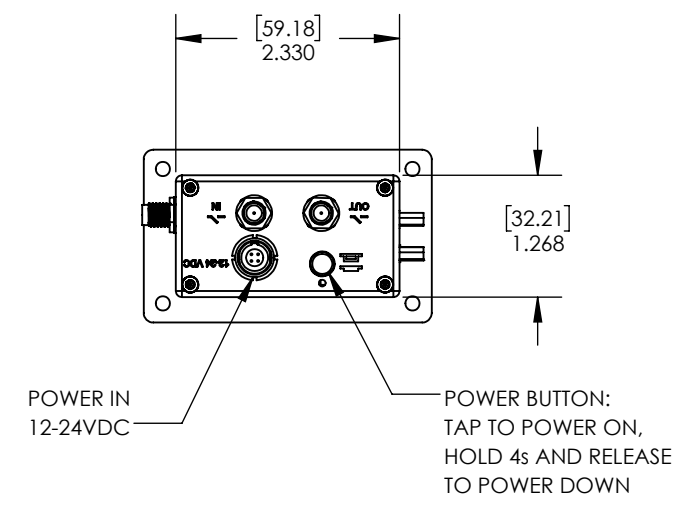
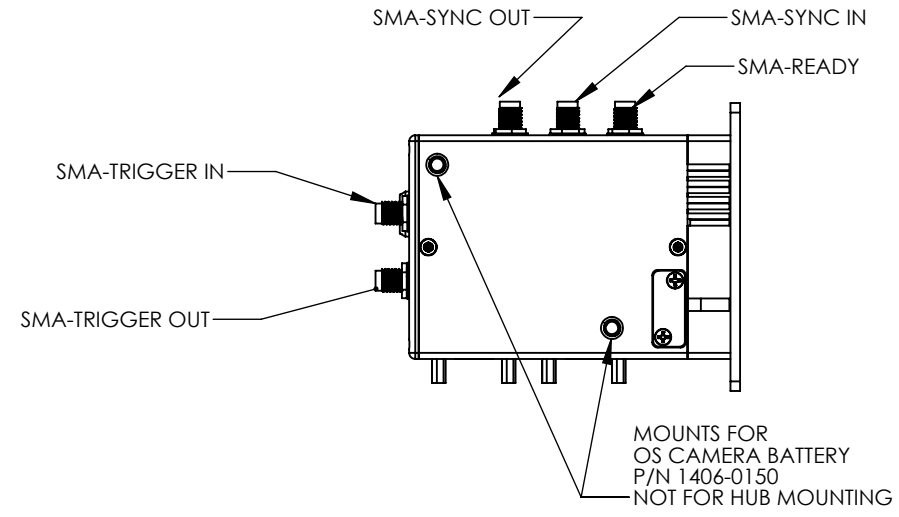


NOTES: UNLESS OTHERWISE SPECIFIED  
 WEIGHT: 9.25oz [262 g] (WITHOUT BATTERIES)

REVISIONS					
ZONE	REV.	ECO #	DESCRIPTION	DATE	APPROVED
	A		INITIAL RELEASE FOR PRODUCTION.	04/13/2018	D. ATOL



<b>PROPRIETARY AND CONFIDENTIAL</b> <small>THE INFORMATION CONTAINED IN THIS DRAWING IS THE SOLE PROPERTY OF INTEGRATED DESIGN TOOLS, INC. ANY REPRODUCTION IN PART OR AS A WHOLE WITHOUT THE WRITTEN PERMISSION OF INTEGRATED DESIGN TOOLS, INC. IS PROHIBITED.</small>	MATERIAL:	FINISH:	PROJECT NAME: QUAD CAMERA DOCK	<b>INTEGRATED DESIGN TOOLS, INC</b> <small>1 WEST MOUNTAIN STREET SUITE 3          PASADENA, CA 91103</small>		
	UNLESS OTHERWISE SPECIFIED: DIMENSIONS ARE IN INCHES TOLERANCES ON: FRACTIONAL DECIMAL ANGULAR $\pm 1/16$ .X $\pm .03$ $\pm 1^\circ$ .XX $\pm .01$ .XXX $\pm .005$			DRAWN: D. ATOL 04/13/2018 CHECKED: B. MOAK 04/13/2018 MECH. ENGINEER: B. MOAK 04/13/2018 ELECTRICAL ENGINEER: OPERATION MANAGER: PROGRAM MANAGER:	TITLE: <b>QUAD PORT DOCK - ICD</b>	
	<b>DO NOT SCALE DRAWING</b>			SIZE: <b>B</b> SCALE: 1:2	DWG. NO.: <b>1467-0100 ICD</b>	REV: <b>A</b> SHEET 1 OF 2
				DATE: 04/13/2018	DATE: 4/13/2018	SHEET 1 OF 2

8 7 6 5 4 3 2 1

A

B

C

D

E

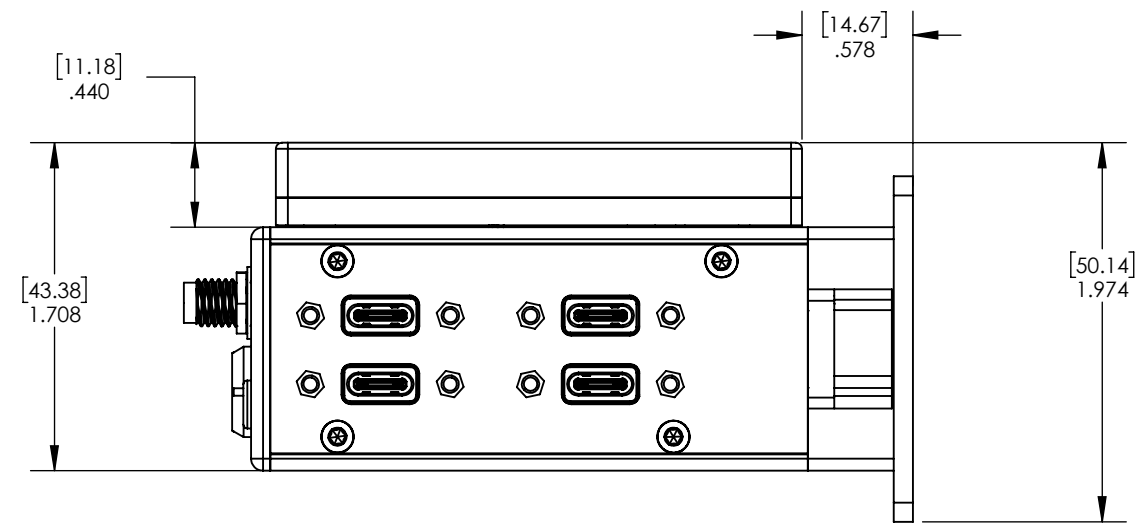
A

B

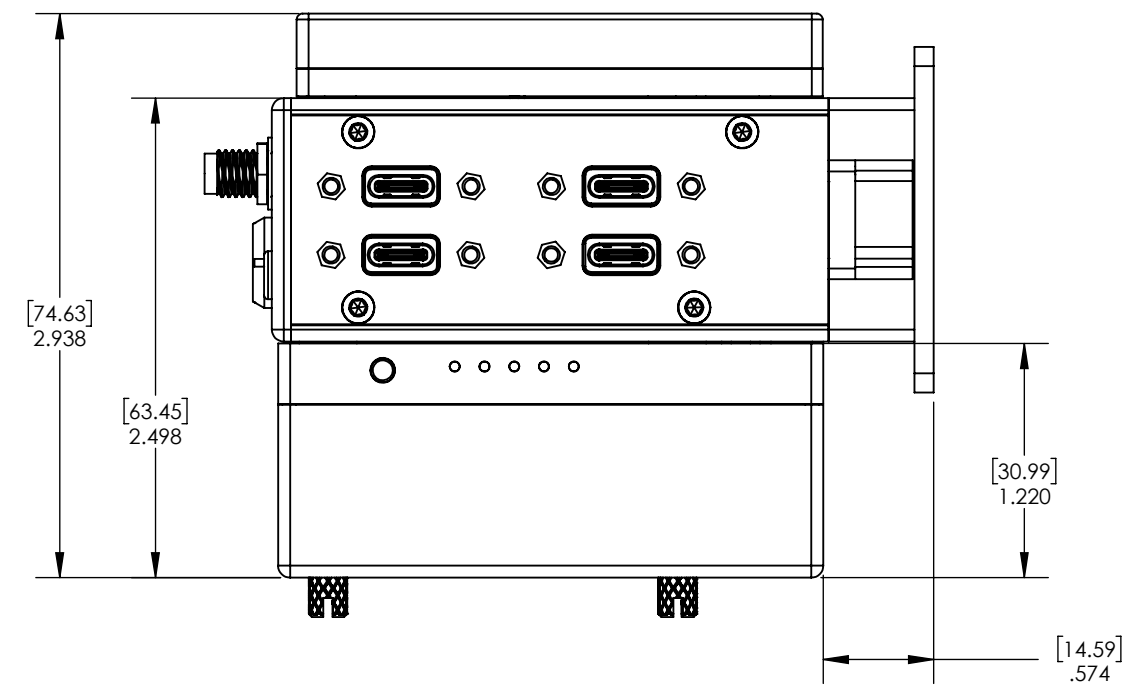
C

D

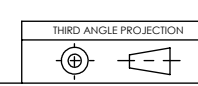
E



SINGLE BATTERY CONFIGURATION



DUAL BATTERY CONFIGURATION



<b>PROPRIETARY AND CONFIDENTIAL</b> <small>THE INFORMATION CONTAINED IN THIS DRAWING IS THE SOLE PROPERTY OF INTEGRATED DESIGN TOOLS, INC. ANY REPRODUCTION IN PART OR AS A WHOLE WITHOUT THE WRITTEN PERMISSION OF INTEGRATED DESIGN TOOLS, INC. IS PROHIBITED.</small>	PROJECT NAME: <b>QUAD CAMERA DOCK</b>	<b>INTEGRATED DESIGN TOOLS, INC</b> <small>1 WEST MOUNTAIN STREET SUITE 3                  PASADENA, CA 91103</small>	
	UNLESS OTHERWISE SPECIFIED: DIMENSIONS ARE IN INCHES TOLERANCES ON: FRACTIONAL DECIMAL ANGULAR ± 1/16 X ± .03 ± 1° .XX ± .01 .XXX ± .005	TITLE: <b>QUAD PORT DOCK - ICD</b>	
<b>DO NOT SCALE DRAWING</b>	SIZE: <b>B</b>	DWG. NO. <b>1467-0100 ICD</b>	SCALE: 1:1 DATE: 4/13/2018 SHEET 2 OF 2

8 7 6 5 4 3 2 1